

ROHS COMPLIANT

1.27mm Female Header Dual Row SMT Type(W=3.1 H=2.1)

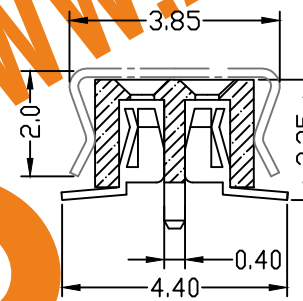
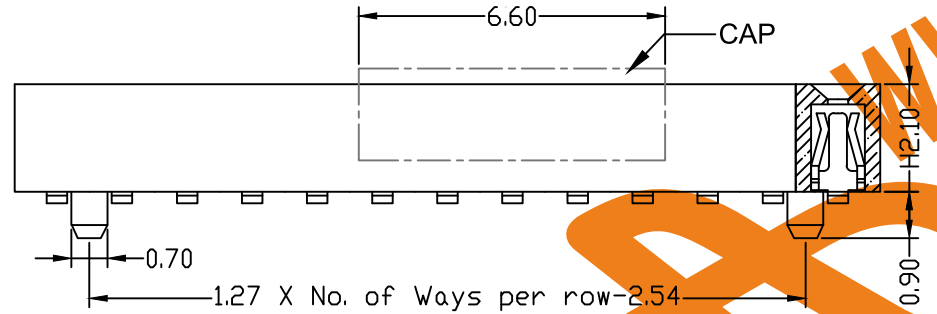
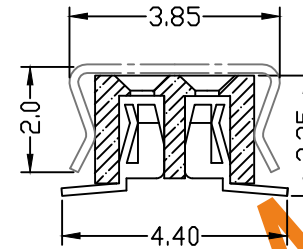
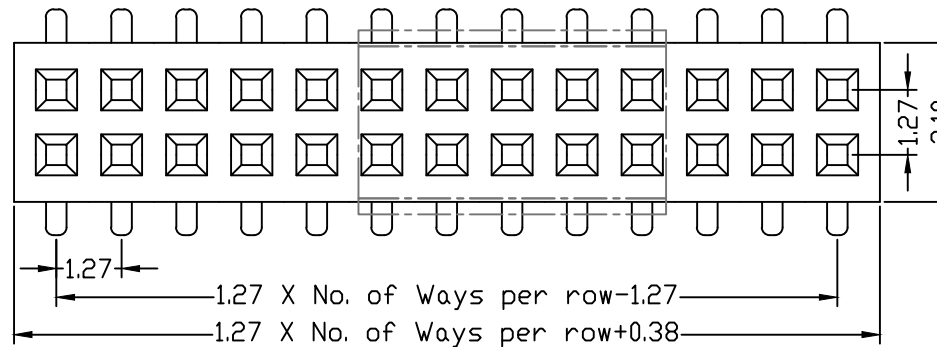
SPECIFICATION

Current Rating: 1Amp
 Insulation Resistance: 5000M ohms min
 Contact Resistance: 20M ohms max
 Dielectric Withstanding: AC500V
 Operating Temperature: -65°C to +125°C
 Contact Material: Brass
 Insulator Material: Hi-Temp. Thermoplastic, UL 94V-0

Ordering Code:

FHCM05 - X - X - D - X - X - X - X
 ① ② ③ ④ ⑤ ⑥ ⑦ ⑧

- ① Series No:
- ② No. of Contacts 02 To 80
- ③ Contact Plating
 G0: Gold flash
 G1: 3u" Gold
 G2: 5u" Gold
 G3: 10u" Gold
 G4: 15u" Gold
 G5: 30u" Gold
 SN: Tin
- ④ Connector Type
 D: Dual
- ⑤ Plastic High:
 H: 2.1
 Please mark the desired length in the H
- ⑥ Insulator Material
 B: PA6T
 C: LCP
 D: PA46
- ⑦ Packing
 A: Tray
 T: Tube
 U: Tube+CAP
 R: Tape&Reel
 W: Tape&Reel+CAP
- ⑧ Special Function
 A: Type A
 B: Type B



PCB LAY UT

Unless Otherwise specified tolerance
 X: ±0.35
 X.X: ±0.25
 X.XX: ±0.20
 X.XXX: ±0.15



AsA Electronic Co.

Tel : (+98) 21 66 73 56 82 Mob : (+98) 912 03 161 02

SCALE: As Shown

UNIT: mm

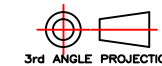
DRAWN: junfon H

CHECKED: YANG

TITLE: 1.27mm Female Header Dual Row SMT Type(W=3.1 H=2.1)

DRAWING NO: FHCM05-XXDXXXX

PRODUCT NO: FHCM05-XXDXXXX



REV	DESCRIPTION	DATE
	Add option of plating	10/8/1